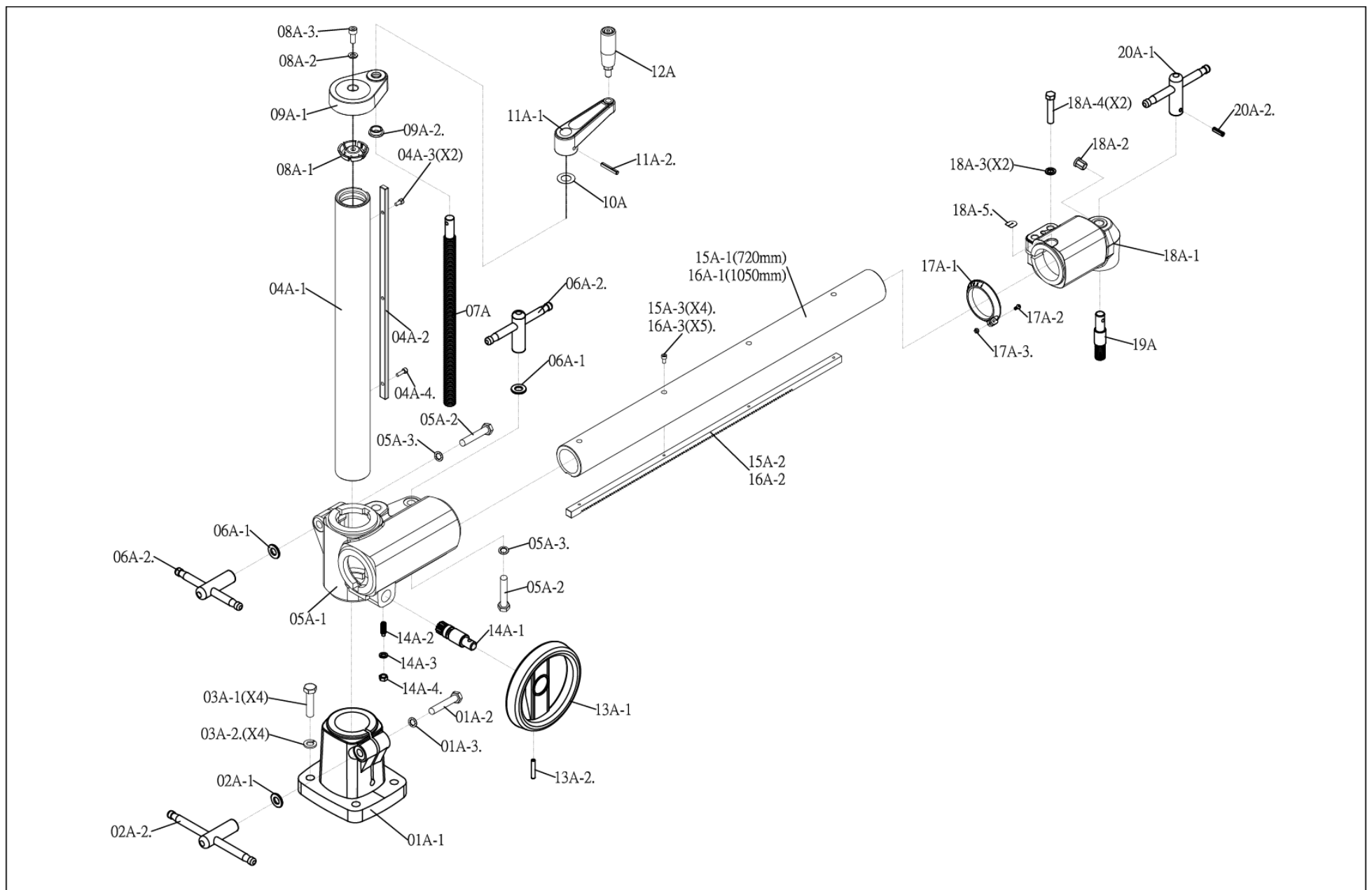


| Part No. | Code No. | Description | Q'ty | Part No. | Code No. | Description | Q'ty | Part No. | Code No. | Description | Q'ty |
|----------|-------------|-----------------------|------|----------|-------------|------------------------|------|----------|----------|-----------------------------|------|
| 01A | 01A | Sprocket Case (Left) | 1 | 12A | 12A | Wormgear Shaft Kit | 1 | 35A-2 | N030006 | Spring Washer | 4 |
| 01A-1 | C020107A | Sprocket Case | 1 | 12A-1 | G320038 | Wormgear Shaft | 1 | 35A-3. | S900625 | Cap Screw | 4 |
| 01A-2 | A500335 | Bushing | 2 | 12A-2 | K420618 | Key 6X6X18L | 1 | 36A | 36A | DC Motor Kit DC540V | 1 |
| 01A-3 | T315106 | Grease Nipple M6 | 1 | 12A-3. | N510015 | Snap Ring | 1 | 36A-1 | L491112 | DC Motor | 1 |
| 01A-4 | N950001 | Spring | 1 | 13A | B036003 | Bearing(#6003) | 1 | 36A-2 | N030006 | Spring Washer | 4 |
| 01A-5. | U010052 | Case Cover | 1 | 14A | Q021701 | Oil Seal | 1 | 36A-3. | S900625 | Cap Screw | 4 |
| 02A | 02A | Sprocket Case (Right) | 2 | 15A | 15A | Wormgear Cover Kit | 1 | 37A | 37A | Grounding Wire Kit | 1 |
| 02A-1 | C020108A | Sprocket Case | 1 | 15A-1 | C020099 | Wormgear Cover | 1 | 37A-1 | S900512 | Cap Screw | 2 |
| 02A-2 | A500335 | Bushing | 2 | 15A-2. | S060616 | Cap Screw | 3 | 37A-2 | N010510 | Flat Washer | 2 |
| 02A-3 | T315106 | Grease Nipple | 1 | 16A | A500303 | Sprocket | 2 | 37A-3 | N050005 | Lock Washer | 4 |
| 02A-4 | N950001 | Spring | 1 | 17A | A500307 | Double-Sprocket | 4 | 37A-4. | J910099 | Grounding Wire 18AWGX120L | 1 |
| 02A-5. | U010052 | Case Cover | 1 | 18A | K330028 | Chain (28S) | 1 | 38A | 38A | Housing Cover Kit | 1 |
| 03A | 03A | Tube Kit | 3 | 19A | K330062 | Chain (62S) | 1 | 38A-1 | U010269 | Housing Cover | 1 |
| 03A-1 | E270006 | Tube | 1 | 20A | K330036 | Chain (36S) | 1 | 38A-2 | P340001 | Safety Sticker | 1 |
| 03A-2. | N510026 | Snap Ring | 1 | 21A | 21A | Oil Filler Cap Kit | 1 | 38A-3 | P320079 | Checked label | 1 |
| 04A | 04A | Sprocket Shaft Kit | 3 | 21A-1 | Q010012 | "O" Ring | 1 | 38A-4 | P200117 | Model Label-DC30 | 1 |
| 04A-1 | G320132 | Sprocket Shaft | 1 | 21A-2. | U010008 | Oil Filler Cap | 1 | 38A-5 | T402044 | AL Nail | 2 |
| 04A-2 | N510015 | Snap Ring | 1 | 22A | 22A | Control Panel Kit | 1 | 38A-6 | S900620 | Cap Screw | 1 |
| 04A-3. | T315106 | Grease Nipple | 1 | 22A-1 | J011235 | Control Panel | 1 | 38A-7. | S900630 | Cap Screw | 2 |
| 05A | K330026 | Chain (26S) | 3 | 22A-2. | S050308-001 | Tap Screw | 3 | 39A | U210041 | Roller | 3 |
| 06A | 06A | Roller Spindle Kit | 3 | 23A | 23A | Control Box Kit | 1 | 40A | 40A | Pivot-Joint Kit | 1 |
| 06A-1 | A400005 | Roller Spindle | 1 | 23A-1 | U010271 | Control Box | 1 | 40A-1 | A250006 | Pivot-Joint | 1 |
| 06A-2 | A510003 | Washer | 1 | 23A-2 | P360007 | Control Panel | 1 | 40A-2 | S900825 | Cap Screw | 4 |
| 06A-3 | N11012H | Nut | 1 | 23A-3. | S050412-001 | Tap Screw | 1 | 40A-3. | N810816 | Lock Pin | 2 |
| 06A-4 | N011630 | Flat Washer | 1 | 24A | U010272 | Speed Knob | 1 | 41A | A250007 | 45 Degree Swivel Kit | 1 |
| 06A-5. | N11016R | Nut | 1 | 25A | 25A | Protecting Cover Kit | 1 | 42A | G020113 | Screw (M16XP1.5) | 1 |
| 07A | 07A | Sprocket Kit | 3 | 25A-1 | U010274 | Protecting Cover | 1 | 43A | 43A | Pull Handle Kit | 1 |
| 07A-1 | A500309 | Sprocket | 1 | 25A-2. | S900525 | Cap Screw | 1 | 43A-1 | T060032 | Pull Handle | 1 |
| 07A-2 | N050057 | Lock Washer | 2 | 26A | 26A | Wire clamp Kit | 1 | 43A-2. | N810622 | Lock Pin | 1 |
| 07A-3. | S900620 | Cap Screw | 2 | 26A-1 | U010278 | Wire clamp | 1 | 44A | 44A | Locating Pin Kit | 1 |
| 08A | 08A | Housing Frame Kit | 1 | 26A-2. | S500412 | PH. Screw (M4X12mmL) | 2 | 44A-1 | G320275 | Locating Pin | 1 |
| 08A-1 | C020100 | Housing Frame | 1 | 27A | J530003 | Cable Gland (PG-11L) | 1 | 44A-2 | N930039 | Comp. Spring | 1 |
| 08A-2 | A500301 | Bushing | 1 | 28A | 28A | Drive Plate Kit(230V) | 1 | 44A-3. | T005022 | Pin Knob | 1 |
| 08A-3 | U010273 | Lubricant Gauge | 1 | 28A-1 | J011236A | Drive Plate | 1 | 45A | J624322 | Power Cord | 1 |
| 08A-4 | C070004 | Lubricant Gauge Panel | 1 | 28A-2. | S900540 | Cap Screw | 2 | 46A | J624324 | Power Cord | 1 |
| 08A-5 | P340474 | Oil/Grease Sticker | 1 | 29A | 29A | Drive Plate Kit (400V) | 1 | 47A | J624315 | Power Cord | 1 |
| 08A-6 | P340498 | Warning Mark | 2 | 29A-1 | J011234A | Drive Plate | 1 | 48A | J624316 | Power Cord | 1 |
| 08A-7 | S100610 | Set Screw | 3 | 29A-2. | S900540 | Cap Screw | 2 | 49A | J624317 | Power Cord | 1 |
| 09A | 09A | Flip Handle-Kit | 1 | 30A | P300129 | Motor Label(230V) | 1 | 50A | J624319 | Power Cord | 1 |
| 09A-1 | U010275 | Flip Handle | 1 | 31A | P300130 | Motor Label(400V) | 1 | 51A | J624320 | Power Cord | 1 |
| 09A-2 | S901050 | Cap Screw | 1 | 32A | U010117 | Spacer | 1 | 52A | J624414 | Power Cord | 1 |
| 09A-3 | N011019 | Flat Washer | 2 | 33A | Q010060 | "O" Ring | 1 | 53A | J624321 | Power Cord | 1 |
| 09A-4. | N12010R-001 | Flange Nut | 1 | 34A | Q022502 | Oil Seal | 1 | 54A | J624323 | Power Cord | 1 |
| 10A | Q010072 | "O" Ring | 1 | 35A | 35A | DC Motor Kit DC310V | 1 | 55A | J624325 | Power Cord | 1 |
| 11A | C120008 | Worm Gear | 1 | 35A-1 | L491111 | DC Motor | 1 | 56A | U210042 | Separated Roller φ 120x25mm | 6 |



| Part No. | Code No. | Description | Q'ty | Part No. | Code No. | Description | Q'ty | Part No. | Code No. | Description | Q'ty |
|----------|----------|---------------------------|------|----------|----------|--------------------------|------|----------|----------|-----------------------|------|
| 01A | 01A | Base Kit | 1 | 07A | G320090 | Elevating Screw | 1 | 15A-1 | E580002 | Over Arm (720mm) | 1 |
| 01A-1 | A250401 | Column Base | 1 | 08A | 08A | Fastener Kit | 1 | 15A-2 | G340004 | Rack (650L) | 1 |
| 01A-2 | S601275 | Hex Screw (M12-1.75Px75L) | 1 | 08A-1 | U010279 | Fastener | 1 | 15A-3 | S900510 | Cap Screw M5 | 4 |
| 01A-3 | N050012 | Lock Washer (M12) | 1 | 08A-2 | N015816 | Flat Washer | 1 | 16A | E580003A | Over Arm Kit (1050mm) | 1 |
| 02A | 02A | Handle Kit | 1 | 08A-3 | S900825 | Cap Screw M8X25L | 1 | 16A-1 | E580003 | Over Arm (1050mm) | 1 |
| 02A-1 | N011225 | Flat Washer (M12x25D) | 1 | 09A | 09A | Column Cape Kit | 1 | 16A-2 | G340005 | Rack (980L) | 1 |
| 02A-2 | G020010A | Handle(200mL) | 1 | 09A-1 | C020110 | Column Cape | 1 | 16A-3 | S900415 | Cap Screw M4X15L | 5 |
| 03A | 03A | Hex Screw Kit | 1 | 09A-2 | A500317 | T. Bushing | 1 | 17A | 17A | Dial Scale kit | 1 |
| 03A-1 | S601250 | Hex Screw (M12-1.75Px50L) | 4 | 10A | G150031 | Washer | 1 | 17A-1 | U010287 | Dial scale | 1 |
| 03A-2 | N030012 | Spring Washer (M12) | 4 | 11A | 11A | Handle Kit | 1 | 17A-2 | S500415 | PH. Screw M4X15L | 1 |
| 04A | E580013A | Vertical Column Kit | 1 | 11A-1 | U010139A | Handle w/ Bushing | 1 | 17A-3 | N11004R | Nut | 1 |
| 04A-1 | E580013 | Vertical Column | 1 | 11A-2 | N810636 | Lock Pin (6x36L) | 1 | 18A | 18A | Over Arm Cone Kit | 1 |
| 04A-2 | G340001 | Rack | 1 | 12A | U010011 | Handle-Grip | 1 | 18A-1 | A250403 | Over Arm Cone | 1 |
| 04A-3 | S900510 | Cap Screw M5X10L | 2 | 13A | 13A | Hand wheel Kit | 1 | 18A-2 | U010119 | Cord Sheath | 1 |
| 04A-4 | S900516 | Cap Screw M5X16L | 1 | 13A-1 | U010082 | Hand wheel | 1 | 18A-3 | N030010 | Washer | 2 |
| 05A | 05A | Elevating Bracket Kit | 1 | 13A-2 | N810636 | Lock Pin (6x36L) | 1 | 18A-4 | S601050 | Screw | 2 |
| 05A-1 | A250402 | Elevating Bracket | 1 | 14A | 14A | Pinion | 1 | 18A-5 | P200125 | Pointer Panel | 1 |
| 05A-2 | S601275 | Hex Screw (M12-1.75Px75L) | 2 | 14A-1 | G020001 | Set Screw (M8-1.25Px25L) | 1 | 19A | G020005 | Stud M16 | 1 |
| 05A-3 | N050012 | Lock Washer (M12) | 2 | 14A-2 | G000007 | Spring Washer (8.3x1.8t) | 1 | 20A | 20A | Handle Kit | 1 |
| 06A | 06A | Handle Kit | 2 | 14A-3 | N030008 | Nut (M8-1.25P) | 1 | 20A-1 | G020007A | Handle | 1 |
| 06A-1 | N011225 | Flat Washer | 1 | 14A-4 | N11008R | Nut | 1 | 20A-2 | N810622 | Lock Pin | 1 |
| 06A-2 | G020006A | Handle | 1 | 15A | E580002A | Over Arm Kit (720mm) | 1 | | | | |